

# User Manual for Faucet and Water Flosser Handle Connector

U.S. *patent pending*

## Package Contents

Water flosser Handle Connector	1
Retention Cap (one as spare)	2



## Limited Lifetime Warranty

Novothings Faucet and Water Flosser Handle Connector is warranted against defects in material, design, or workmanship for six months from the purchase date. This warranty applies only when the product is used according to the provided installation and operating instructions. The warranty is void if the product is modified, abused, or improperly used, or if it is damaged due to accidents or improper installation.

For questions, contact: [service@novothings.com](mailto:service@novothings.com)

## Prerequisite

Ensure that your faucet is compatible with the included diverter. Refer to Step 3 in the Installation section for more details.

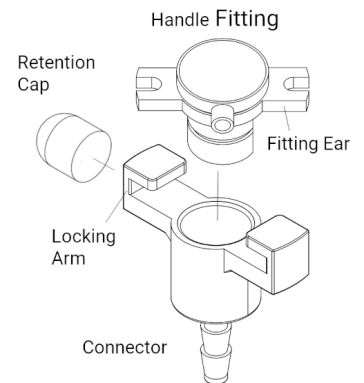
## Tools / Hardware (may be required)



## Connecting Water Flosser Handle to Faucet Handle Connector

(For a visual guide, visit: <https://novothings.com/connect-handle/>)

1. Insert your water flosser handle fitting into the connector, then rotate it so that the fitting ears are positioned under the locking arms (see figure on right).
2. Attach **one** retention cap on a locking arm.



## Installing Diverter

(For a visual guide, visit: <https://novothings.com/installation-v2/>)

**Before starting, plug the sink drain to prevent parts from falling in.**

Step 1. Unscrew and remove the faucet aerator which is located at the tip of your existing faucet.

Tip: To unscrew the aerator by hand, wear a rubber glove or use a wet cloth to increase the grip. If it is too tight, use a plier wrench (wrapping the aerator with cloth to prevent scratches).

Tip: Keep the removed aerator in a safe place for occasions when you may want to restore it.

Step 2. Detach the faucet adapter from the diverter.

Step 3. Determine the aerator size and type:

Male aerator	External Threads	15/16"-27T (~24mm) M	Proceed to Step 4: Install adapter.
Female aerator	Internal Threads	55/64"-27T (~22mm) F	Proceed to Step 5: Install diverter.

If you don't have a measuring tool, set a nickel on top of the aerator. If they are close in diameter, the aerator may be a regular size, which is either 15/16"-27T (~24mm) M or 55/64"-27T (~22mm) F. If your aerator size doesn't match either, please refer to the **aerator adapter guide** at <https://novothings.com/aerator-guide/>.



Step 4. Install the adapter to the faucet.

Ensure that the gasket is on the top of the adapter. Use a plier and a cloth (to avoid scratching) for a snug fit.

Step 5. Install faucet diverter.

You may need a plier to slightly tighten the diverter.

Note: Some diverters may come with a gasket. If so, place it on the top of the diverter.



## Operation

1. Set the diverter valve to a horizontal position.
2. Turn on the faucet and adjust for desired water pressure.
3. Test the water stream's force with your fingertips and avoid excessive pressure.

Caution: Avoid placing the flosser tip in your mouth while adjusting the water pressure.

4. Floss your teeth using the water flosser.
5. After use, revert the diverter valve to its vertical (normal use) position, turn off the faucet. Place the flosser tip in the rest.

## Safety

1. The water flosser is designed exclusively for flossing teeth. Misuse voids the warranty.
2. Water pressure from the faucet pipe can be very high. Before flossing, test the water stream's force with your fingertips. A forceful water stream could harm gums.
3. Water flosser tip is pointy. Keep it out of reach of young children.
4. If you notice bleeding on your gum, reduce the water pressure. If bleeding continues, consult your dentist.

## Troubleshooting

- If you experience water leakage around the diverter, ensure that all gaskets are in place and that the screws are securely fastened. Tighten the screws further if necessary.
- If you experience leakage around the Handle Connector, contact novothings service department.
- **Unable to Install Faucet Diverter?**  
In some cases, you may encounter a female faucet aerator (see picture). After removing the aerator, if you find that the diverter cannot reach the faucet's internal threads directly, an adapter extension may be needed. Please email us with a photo showing your faucet and the aerator separately, and we'll send an extension adapter free of charge.

Female (Internal) Thread  
55/64F or M22 or 22 mm



Aerator

## Contact

Service: [service@novothings.com](mailto:service@novothings.com)  
Website: [novothings.com](http://novothings.com)

